

Appln. No.: 10/776,822
Amendment Dated February 3, 2005
Reply to Office Action of November 9, 2004

NSG-229US

Amendments to the Drawings:

The attached sheet of drawings includes changes to Figures 1A and 1B. This sheet replaces the original sheet.

Attachment

HAVING INCREASED EXTERNAL LIGHT
EMISSION EFFICIENCY AND SELF-SCANNING
LIGHT-EMITTING ELEMENT ARRAY USING THE
SAME

Replacement Sheet

Appl. No.: 10/778,822
Attorney Docket No.: NSG-229US

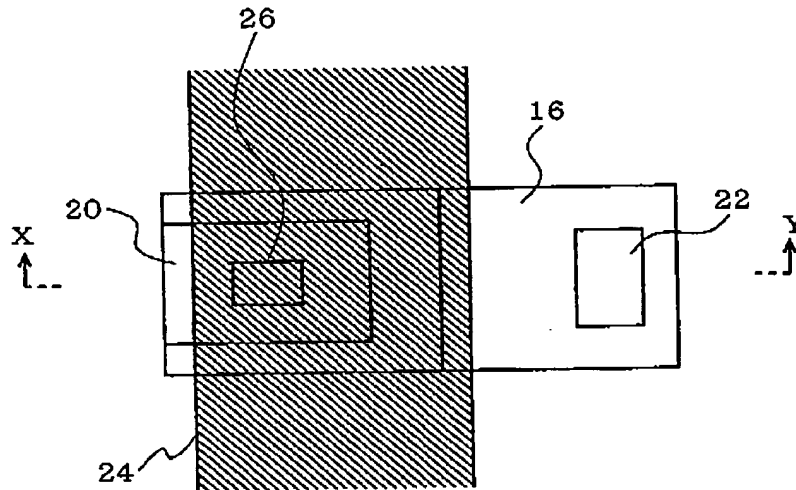


FIG. 1 A
PRIOR ART

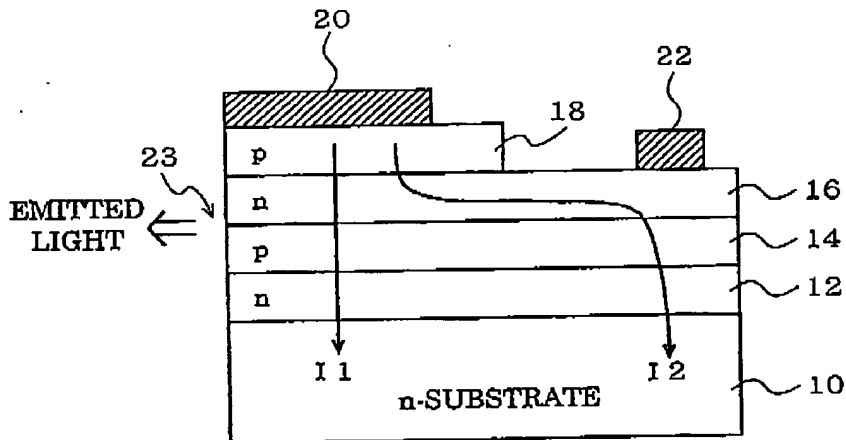


FIG. 1 B
PRIOR ART